



# YOSHIMURA

RESEARCH&DEVELOPMENT OF AMERICA, INC.

5420 DANIELS STREET STE A, CHINO CA., 91710 · (800) 634-9166 · (909) 628-4722 · FAX (909) 591-2198

[www.yoshimura-rd.com](http://www.yoshimura-rd.com)

## RACE SERIES

Qualified Manufacturer Declared "Modified Part"

2017

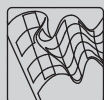
**Kawasaki Z125 PRO**

**14120AB250 (CF/SS)**

**Works Finish**

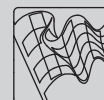
**RS-2 Stainless Steel Full-System**

**FOR CLOSED COURSE COMPETITION ONLY; NOT INTENDED FOR STREET USE**



Race Series systems are:

- NOT CARB/EPA tail-pipe emissions compliant.
- NOT street legal.
- For "Closed Course Competition" use only.

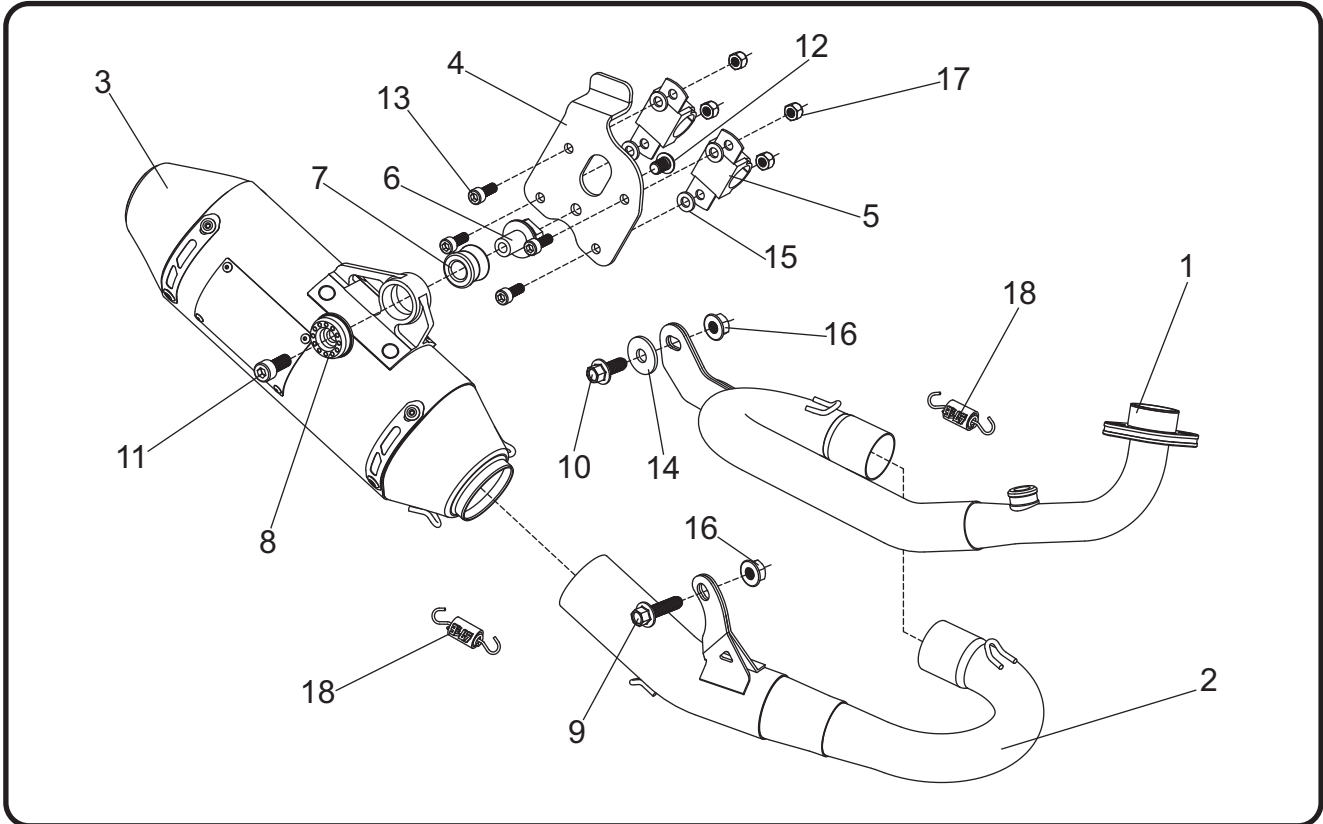


*You must know how to remove and replace your stock exhaust in order to install this product otherwise have it installed by a professional mechanic. Keep all stock parts from your existing system as some components may be necessary to install your new Yoshimura exhaust depending on the application. Read through all instructions before beginning installation. Exhaust system can be extremely hot. Let motorcycle cool down before beginning installation. Always wear hand and eye protection and take precautionary measures to avoid injury.*



NOTE: IN THE STATE OF CALIFORNIA, IT IS ILLEGAL TO MODIFY THE EMISSION CONTROL SYSTEM, WHICH INCLUDES THE CARBURETORS OF ANY VEHICLE.

## Assembly Diagram



No.	Item	Description	Qty.
1	14120-401	Yoshimura Header	1
2	14120-419	Yoshimura Tailpipe	1
3	14120AB250-RMA	Yoshimura Muffler Assembly	1
4	14120-BKT	Muffler Mount Bracket	1
5	11355T65	Tube Clamp	2
6	ALS-055	Threaded Aluminum Spacer	1
7	011257-00	Rubber Bushing	1
8	M8ALCSW-00	Aluminum Counter Sink Washer	1
9	M8X30H-BLK	8mm x 30mm Flanged Hex Head Bolt; Black	1
10	M8X20H	8mm x 20mm Flanged Hex Head Bolt	1
11	M8X20	8mm x 20mm Socket Head Cap Bolt	1
12	M8X12BHS	8mm x 12mm Button Head Screw	1
13	M6X16	6mm x 16mm Socket Head Cap Bolt	4
14	8MMWASHERL	8mm Large Washer	1
15	6MMWASHER	6mm Washer	4
16	8MMNUT	8mm Flange Nut	2
17	6MMLN	6mm Nylon Lock Nut	4
18	RACE-SPX-1	Small Exhaust Spring	2
**	INS-25-K	Low Volume Sound Insert	1
**	ST-200	Spring Puller Tool	1
**	17029	Sticker Kit Sheet	1

\*\* Not shown in diagram.

**CAUTION:** Exhaust system can be extremely hot. Let motorcycle cool down before beginning installation. Always wear hand and eye protection and take precautionary measures to avoid injury.

**WARNING:** Always properly support vehicle with a stand and/or lift when servicing or performing any work. Unstable vehicles may present dangerous conditions and may cause property damage and/or personal injury.

**NOTE:** Read through all instructions before beginning installation.

## Removal

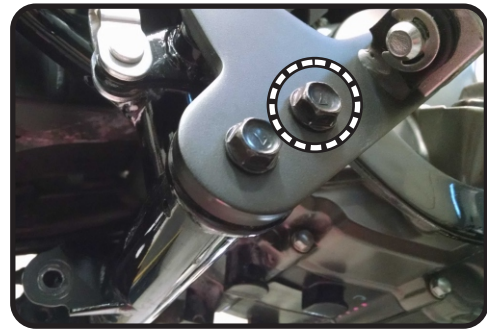
1. Remove the four bolts securing lower cowl and carefully remove the lower cowl.
2. Remove the stock O2 sensor from the stock exhaust system.
3. Remove the muffler chassis mount bolt.
4. While securely supporting the stock muffler assembly, remove the header nuts and carefully remove the stock muffler assembly.

Note: The stock exhaust port gasket will be re-used with the Yoshimura system. Inspect and replace if necessary.

5. Remove the right side frame cover bolt by the passenger footpeg. Carefully pull right side frame cover away from the bike to release the frame cover pin out of the rubber grommet on the frame.

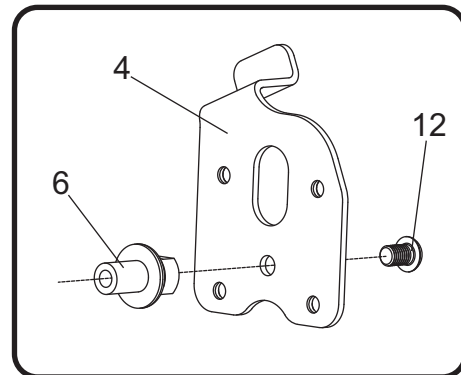


6. Remove the right side footpeg plate bolt closest to the rider footpeg. Bolt will be replaced in a later step.



## Installation

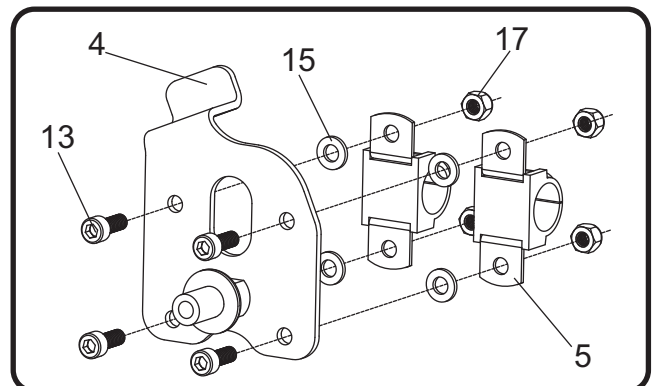
1. Install (No. 6) *ALS-055*, threaded aluminum spacer onto (No. 4) *14120-BKT*, muffler mount bracket using (No. 12) *M8X12BHS*, 8mm screw as shown.



2. Install (No. 5) *11355T65*, tube clamp onto the lower tube of the passenger footpeg bracket.

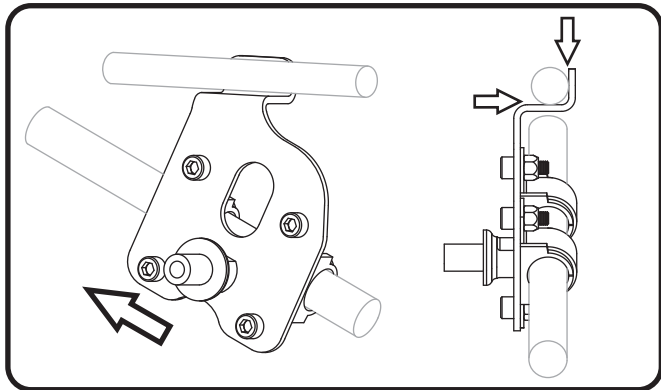
Note: Separate metal U-Clamp from the rubber cushion to install onto the lower passenger footpeg bracket tube. Re-install metal U-Clamp over rubber cushion before proceeding to the next step.

3. Install (No. 4) *14120-BKT*, muffler mount bracket to (No. 5) *11355T65*, tube clamp as shown. Do not torque at this time.



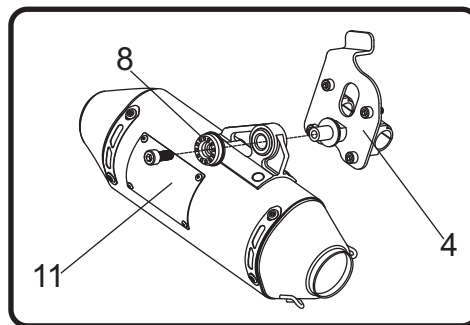
- Slide assembled (No. 4) *14120-BKT*, muffler mount bracket as far back as possible. Torque (No. 13) *M6X16*, 6mm bolts to 9.5 Nm (0.95 kg-m, 7 ft-lbs).

Note: The top tab of the muffler mount bracket should be touching the footpeg bracket.



- Install (No. 1) *14120-401*, Yoshimura header using the stock header nuts. Align header chassis mount bracket to chassis mount and install (No. 10,14,16) *M8X20H*, *8MMWASHERL*, *8MMNUT*, bolt, washer, and nut as shown on the assembly diagram. Do not torque at this time.
- Install (No. 2) *14120-419*, Yoshimura tailpipe inlet over (No. 1) *14120-401*, header outlet. Align tailpipe chassis mount bracket to the backside of the right footpeg plate where the stock bolt was previously removed and install (No. 9) *M8X30H-BLK*, 8mm black bolt. Torque to 32.5 Nm (3.25 kg-m, 24 ft-lbs).
- Install (No. 7) *011257-00*, rubber bushing into muffler bracket.
- Install (No. 3) *muffler*, onto (No. 2) *14120-419*, tailpipe outlet and align muffler bracket to (No. 6) *ALS-055*, threaded aluminum spacer.
- Secure (No. 3) *muffler*, to (No. 4) *14120-BKT*, muffler mount bracket using (No. 11) *M8X20*, bolt and (No. 8) *M8ALCSW-00*, aluminum counter sink washer as shown. Torque bolt to 23 Nm (2.3 kg-m, 17 ft-lbs).

Note: Use a 14mm wrench or adjustable wrench on the spacer when tightening muffler mount bolt to prevent the spacer from rotating.



- Re-install right side passenger footpeg frame cover pushing the pin into the grommet and re-install frame cover bolt.
- Install (No. 18) *RACE-SPX-1*, small exhaust spring between muffler to tailpipe connection and between header to tailpipe connection.

Note: The spring hook on the backside of the muffler will not be used.

- Install (No. 16) *8MMNUT*, onto (No. 9) *M8X30H-BLK*, tailpipe chassis mount bolt and torque to 32.5 Nm (3.25 kg-m, 24 ft-lbs).

Note: Use a 13mm wrench or adjustable wrench on the bolt when tightening nut to prevent bolt from rotating.

- Torque (No. 10) *M8X20H*, header chassis mount bolt to 32.5 Nm (3.25 kg-m, 24 ft-lbs).
- Torque header nuts to factory specification.
- Re-install the stock O2 sensor into (No. 1) *14120-401*, Yoshimura header. Torque to factory specification.
- Re-install the lower cowl.
- Before starting vehicle, check for proper clearance between new exhaust system and rear suspension (i.e. tire, swingarm, brakes, rear shock, and etc.) If any problem is found, please carefully follow through the installation steps again. If problem still persists, please call Yoshimura Tech Department at (800) 634-9166 / in CA (909) 628-4722.

- It is recommended that the muffler and tailpipe be wiped down with rubbing alcohol to remove oil and fingerprints. This will help prevent tarnishing of the finish after the exhaust is heated up.

Note: After starting vehicle, it is normal for new exhaust system and muffler to emit smoke until oil residue burns off.

## **Works Finish Care & Maintenance**

---

Before starting vehicle, clean pipe thoroughly using a soft cloth and rubbing alcohol to remove any oil and finger prints.

The color of the exhaust will change once the system has gone through a heat cycle of 15 minutes or more. Color will vary depending on lean/rich conditions.

Clean using a soft cloth and soap. Do not use abrasive materials as it will scratch the surface.

Surface reconditioning services are available to remove scratches and undesirable discoloration due to extreme heat. Contact Yoshimura Tech Department at (800) 634-9166 / in CA (909) 628-4722 for more information.